

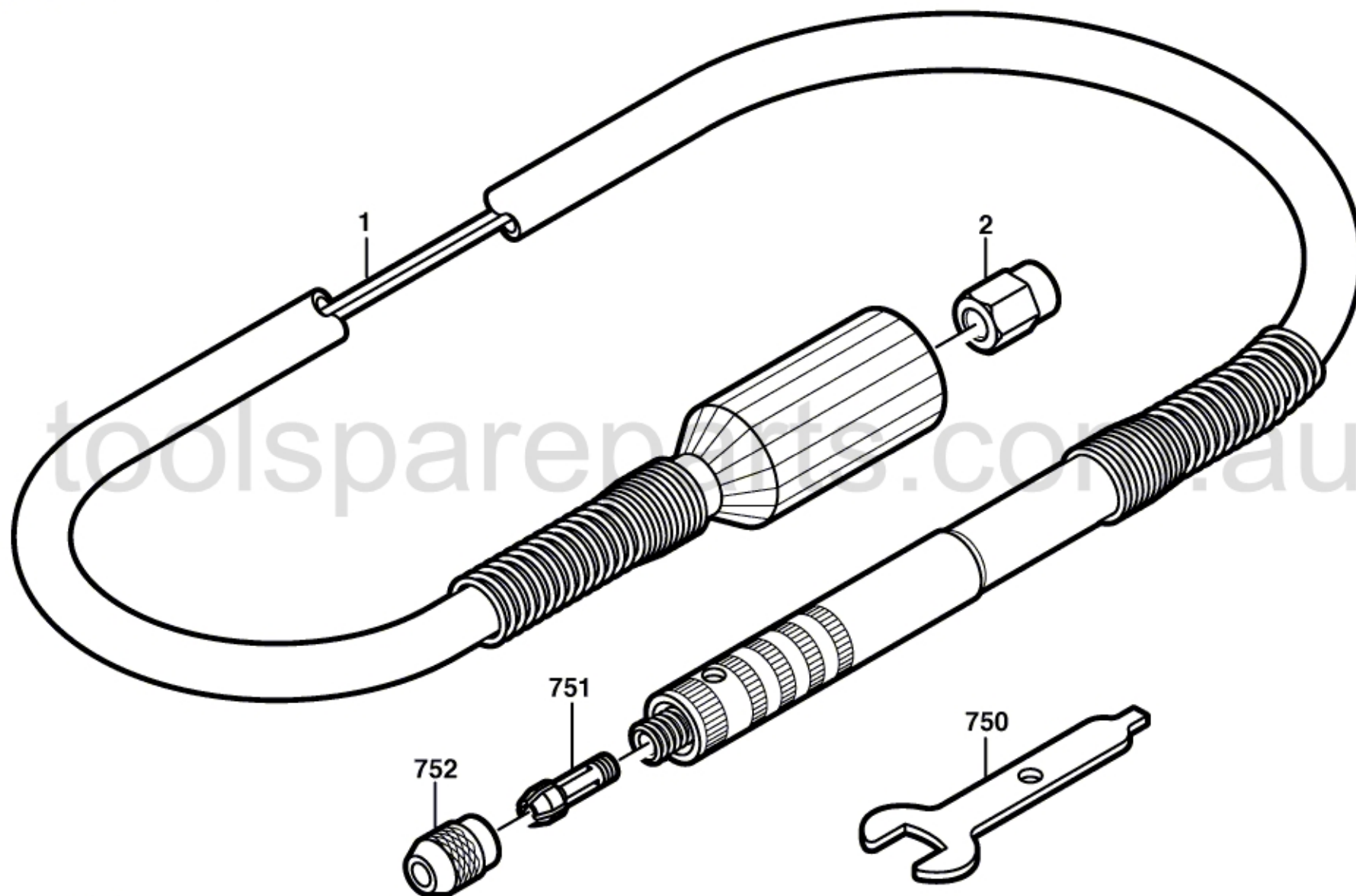
2 615 000 225

2 675 022 532

Stand } ~~98-08~~

Issue } 98-09-28

Fig./Abb. 1



Änderungen vorbehalten
Modifications reserved
Modifications reserves
Salvo modificaciones